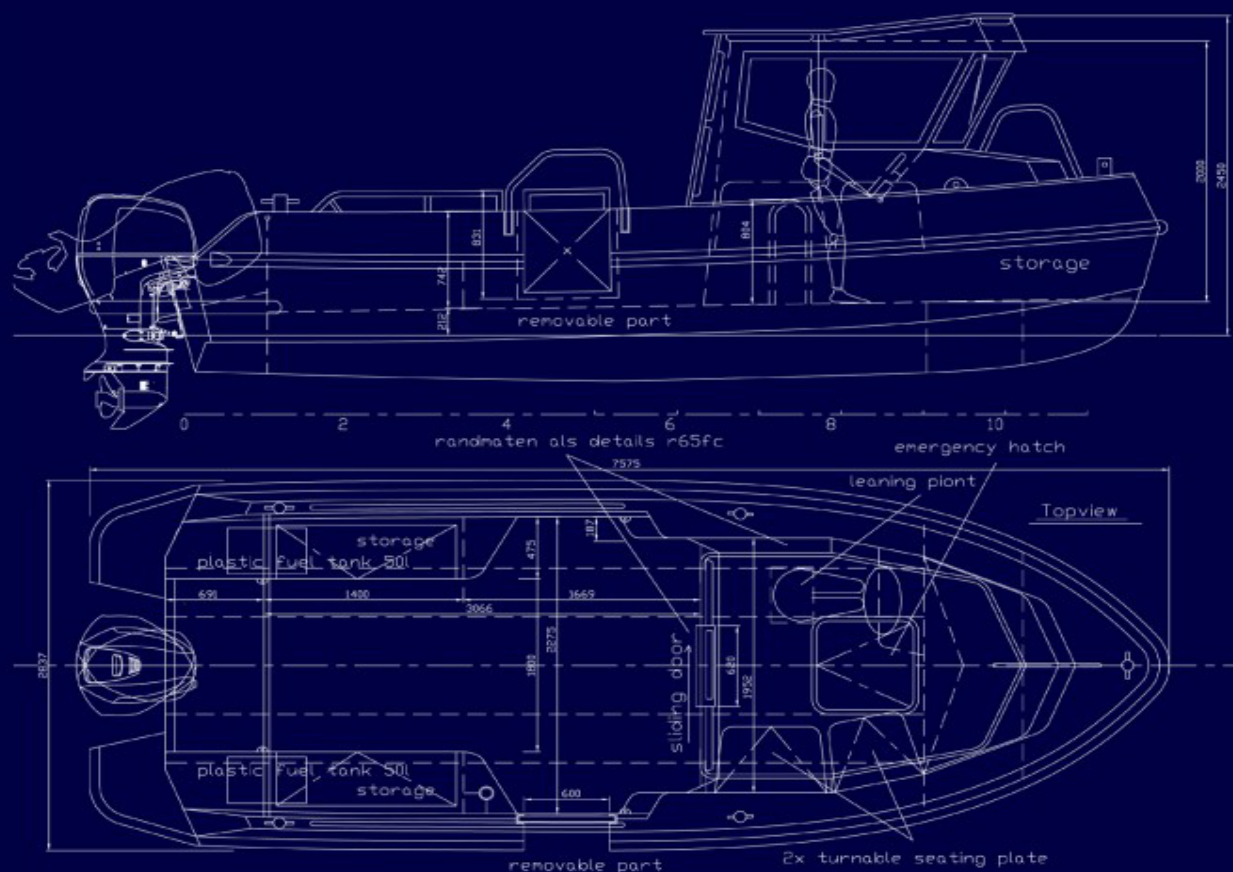


SPECIFICATIONS: PORTER 75

- Length overall 7.60 m / 24.93 ft
- Beam 2.85 m / 9.35 ft
- Air draught 2.45 m / 8.04 ft
- Draft 0.55 m / 1.80 ft
- Min. freeboard 0.83 m / 2.72 ft
- Dry weight 1750 kg / 3858 lbs
- CE C (coastal inland)
- Drainage Self-draining floor
- Deck load (incl. outboard) 1550 kg Ce-D / 1450 kg Ce-C



Built under license in the USA by SAFE Boats International, LLC