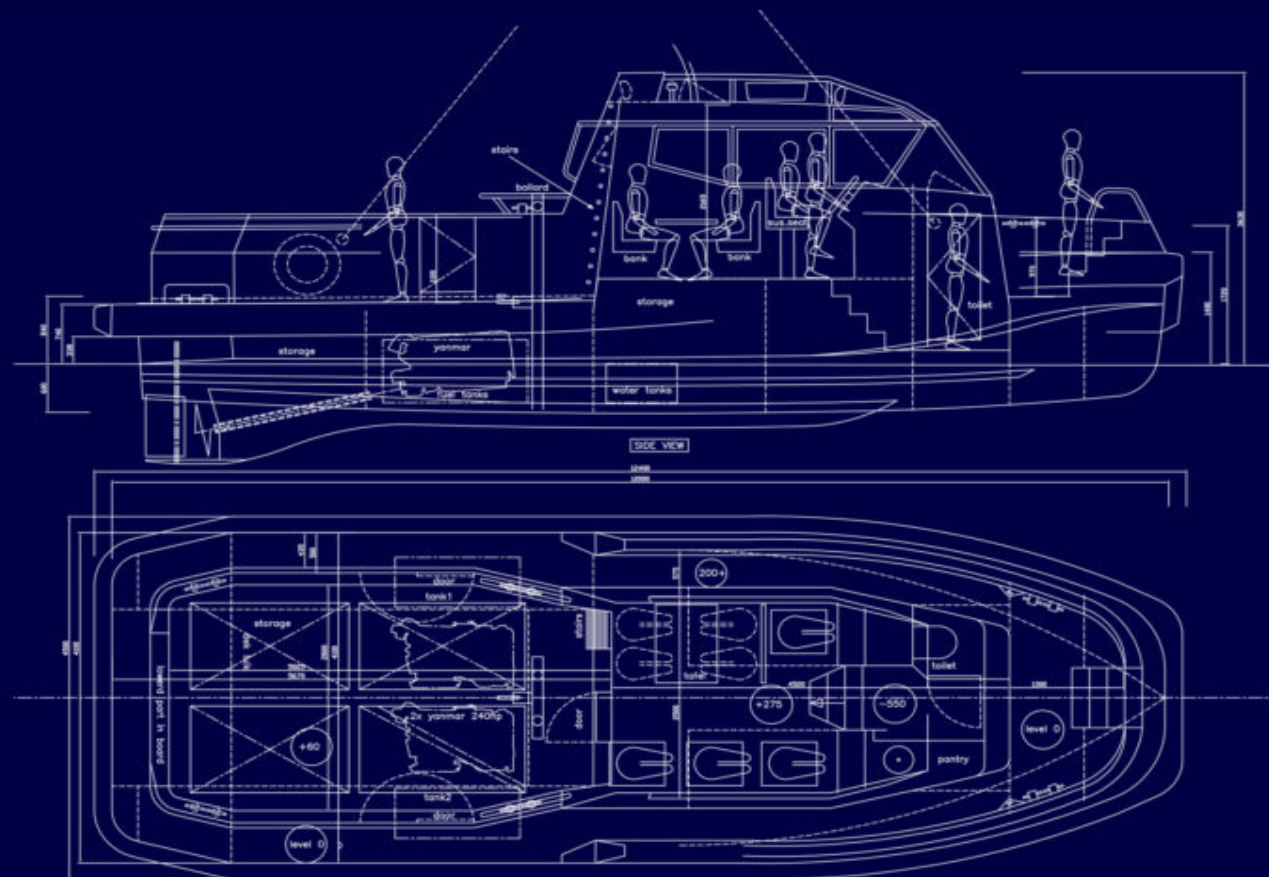


SPECIFICATIONS: PORTER 120

• Length overall	12.7 m / 41.67 ft
• Length hull	12.3 m / 40.35 ft
• Beam overall	4.5 m / 14.76 ft
• Beam mould	4.1 m / 13.45 ft
• Draft hull	3.4 m / 11.15 ft
• Displacement DWL	approx. 9.5 ton
• Max. speed	18 knots
• Cruise speed	12 knots
• Crew	2 + 6 passengers
• Fuel capacity	600 liter / 159 gal
• Engine	2x Yanmar 4LHA 240hp
• Ref class notation	Bureau Veritas (iron cross) hull special service workboat coastal area



Built under license in the USA by SAFE Boats International, LLC