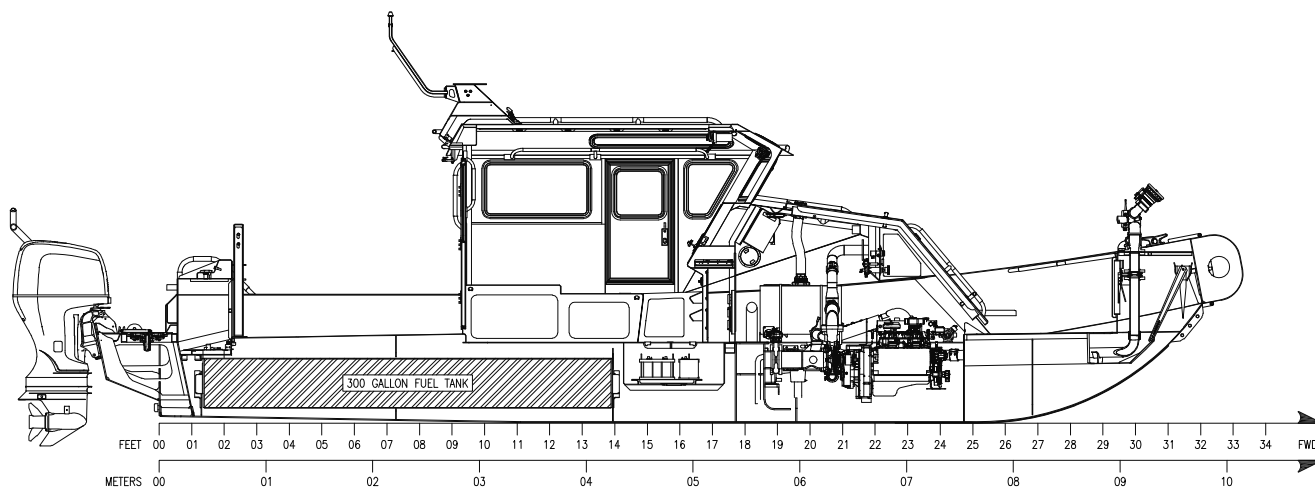
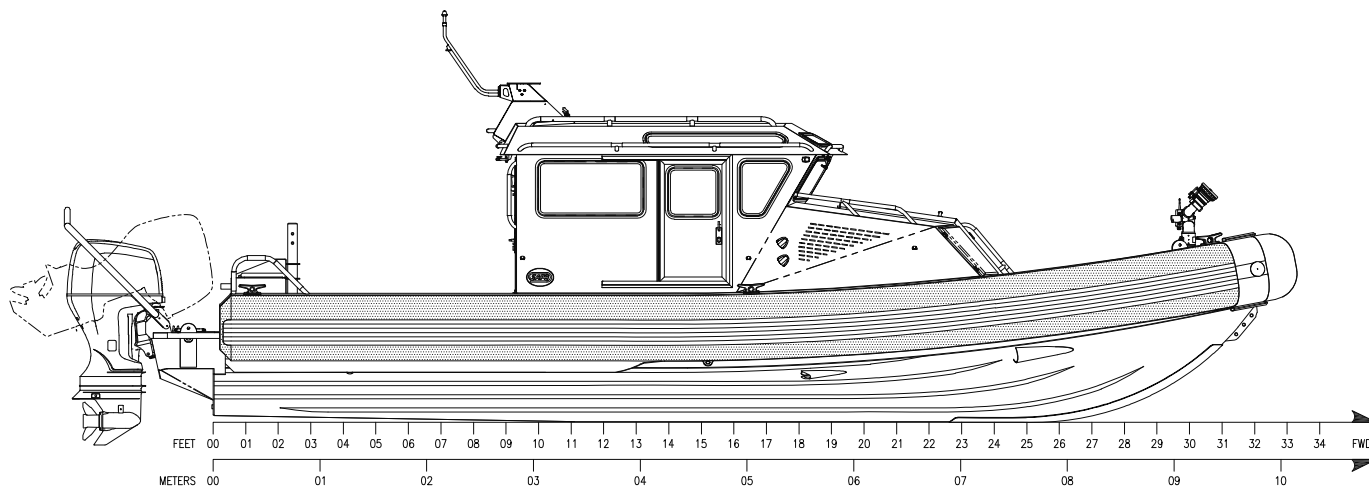


INBOARD PLAN VIEW



INBOARD PROFILE



OUTBOARD PROFILE

SPECIFICATIONS

LENGTH	33' [10.1]
LOA	35'-3" [10.7]
BEAM	10' [3.1]
HEIGHT ON TRAILER	12' [3.6]
DEADRISE	25"
FUEL	300 GALLONS [1,136 LITERS]
MAX HP	1,050 [782.9 kW]

SPECIFICATIONS, WEIGHTS AND MEASUREMENTS ARE APPROXIMATES ONLY. ACTUALS VARY DEPENDANT UPON BUYER SELECTED OPTIONS.

THIS DOCUMENT DISCLOSES SUBJECT MATTER IN WHICH SAFE BOATS INTL., LLC. HAS PROPRIETARY RIGHTS. THE INFORMATION AND DESIGN DISCLOSED HEREIN WERE ORIGINATED BY AND ARE THE PROPERTY OF SAFE BOATS INTL., LLC. NEITHER RECEIPT NOR POSSESSION THEREOF CONFERS ANY RIGHT TO REPRODUCE, COPY, OR DISCLOSE THE DOCUMENT, ANY PART THEREOF, ANY INFORMATION CONTAINED THEREIN OR TO CONSTRUCT PRODUCTS FROM IT.



GENERAL ARRANGEMENTS

SAFE BOATS DRAWING NO.	REV
SBI_33FC-FIRE BOAT_GA	-
SCALE: NONE	SHEET 1 OF 1