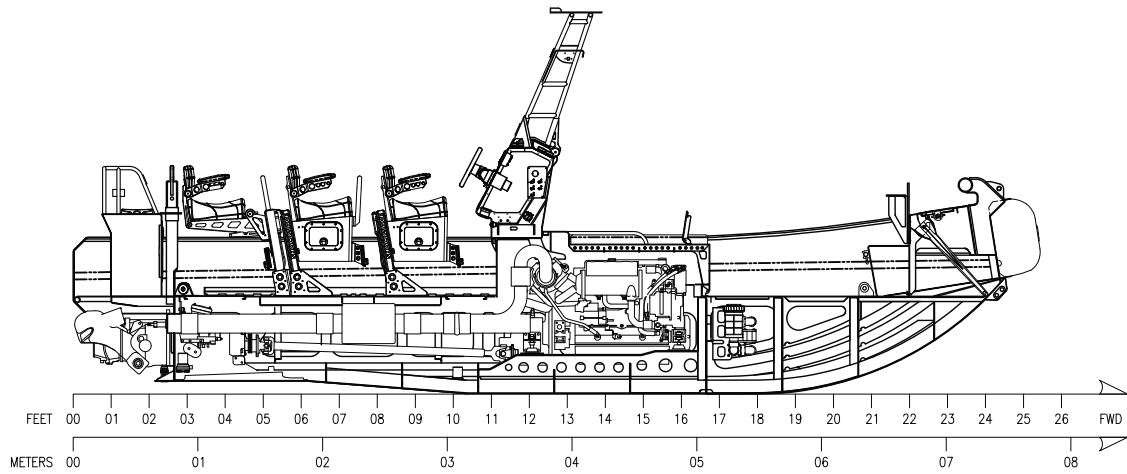
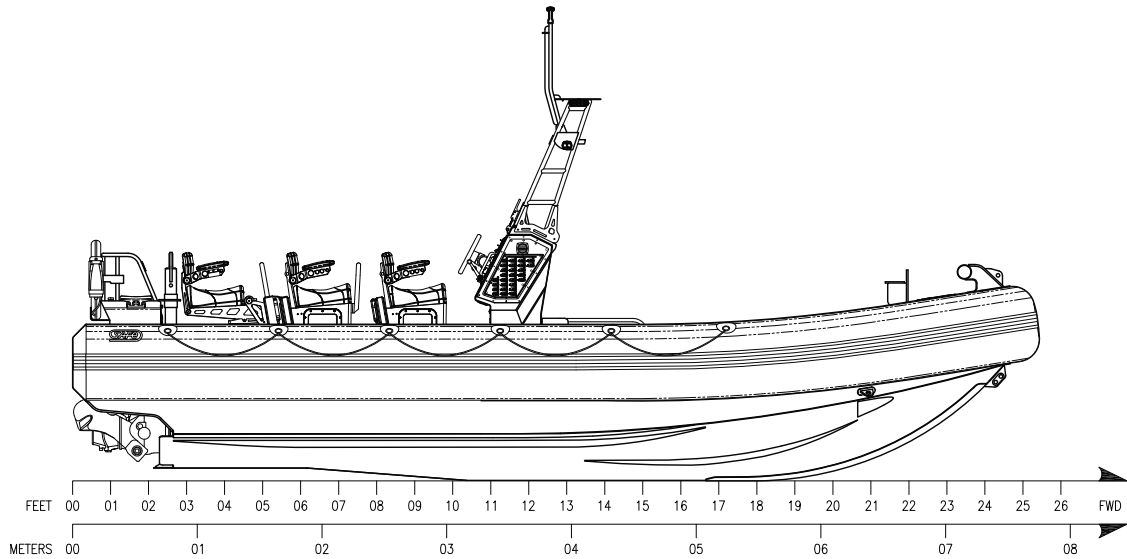


INBOARD PLAN VIEW



INBOARD PROFILE



OUTBOARD PROFILE

SPECIFICATIONS

LENGTH	25'-5" [7.8]
LOA	25'-5" [7.8]
BEAM	8'-6" [2.6]
HEIGHT ON TRAILER	9' [2.75]
DEADRISE	25"
FUEL	97 GALLONS [367 LITERS]
MAX HP	480 [357.9 kW]

SPECIFICATIONS, WEIGHTS AND MEASUREMENTS ARE APPROXIMATES ONLY. ACTUALS VARY DEPENDANT UPON BUYER SELECTED OPTIONS.

THIS DOCUMENT DISCLOSES SUBJECT MATTER IN WHICH SAFE BOATS INTL., LLC. HAS PROPRIETARY RIGHTS. THE INFORMATION AND DESIGN DISCLOSED HEREIN WERE ORIGINATED BY AND ARE THE PROPERTY OF SAFE BOATS INTL., LLC. NEITHER RECEIPT NOR POSSESSION THEREOF CONFERS ANY RIGHT TO REPRODUCE, COPY, OR DISCLOSE THE DOCUMENT, ANY PART THEREOF, ANY INFORMATION CONTAINED THEREIN OR TO CONSTRUCT PRODUCTS FROM IT.



GENERAL ARRANGEMENTS

SAFE BOATS DRAWING NO.	SBI_26_CC-1_GA	REV	-
SCALE: NONE		SHEET 1 OF 1	