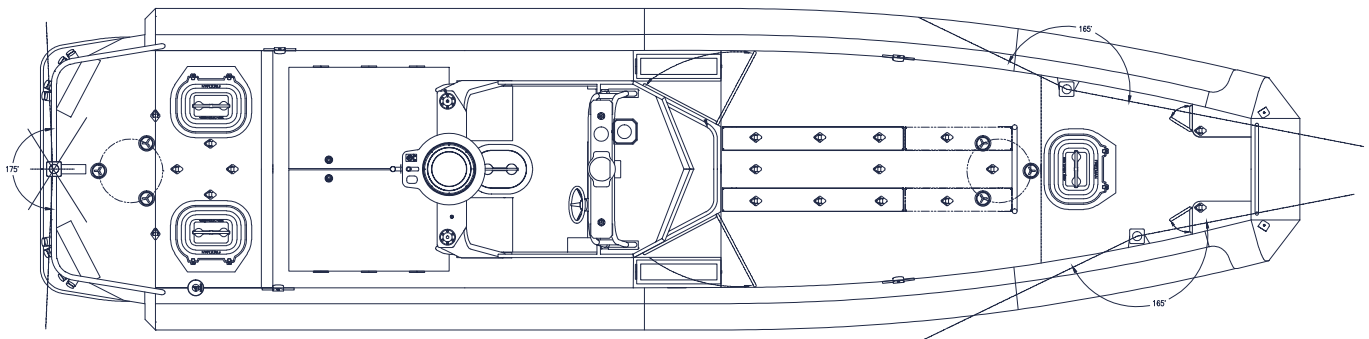
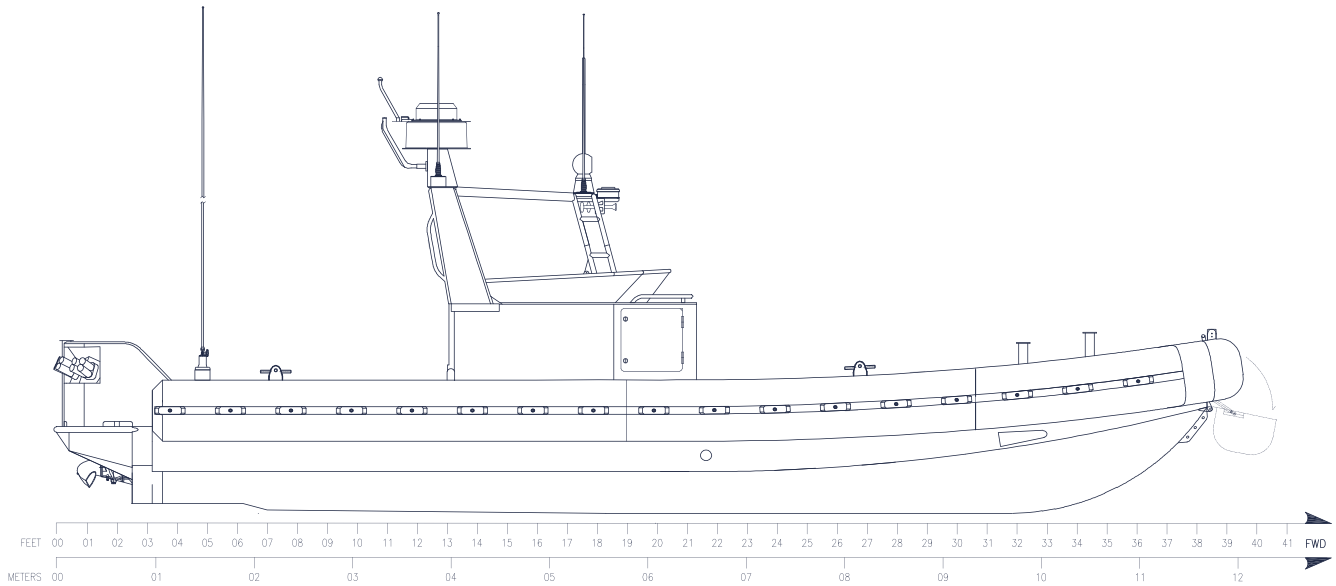


SAFE

RIVERINE PATROL BOAT



SAFE RIVERINE PATROL BOAT
VISUAL REFERENCE + SPECIFICATIONS



Length Overall (LOA) (feet)**39'-6"**
 Length Overall (meters).....**12.0**
 Beam Overall (BOA) (feet)**10'-2"**
 Beam Overall (meters).....**3.1**
 Deadrise at Transom (degrees)**18**
 Draft (static) (inches)**24"**
 Draft (static) (meters).....**0.61**
 Max HP**1,500**

Top Speed (knots) **40**
 Max Range (NM) **.250 @ 35 knots**
 Fuel Cap (gal) **300**
 Seated Positions.....**2**
 Dry Weight: vessel, no engines, no fuel,
 no options, no liquids, no people, no cargo
 (approximate) (lbs)**13,990**
 Operational Load (lbs)**22,500**

Height on trailer - Road Transport (feet) **13'-3"**
 Length on trailer - Road Transport
 (feet)**44'-9"**
 Weight on Trailer (lbs)**22,951**
**All specs, features and GAs shown are
 subject to change*

HULL & DECK

- 1/4" - 5086 bottom plate
- Reinforced, double keel beaching plate
- Six (6) fully welded performance lifting strakes
- Self-draining decks with four (4) scupper drains
- Flush, aft deck and insulated engine compartment
- Integrated aluminum weld-in deck pads to allow for tripod mount, centerline, fore and aft
- Sacrificial hull anode(s)

SUPER STRUCTURE

- 60" side console with wind deflector
- Five individual weapons mount stations for heavy machine guns
- All outside lockers have fabricated aluminum access doors with venting designed to reduce water intrusion
- Forward cabin bow rails
- Swing down radar arch
- Dual, fabricated engine compartment hatches with stainless steel latches
- Drop bow door

SEATING, SEAT STORAGE & UPHOLSTERY

- Dual console seating bolsters with flip-up seat bases that double as engine compartment air intake boxes
- Custom retractable/removable bimini over coxswain, flat with stainless steel frame

COLLAR SYSTEM

- Patented 100% foam SAFE XDR-1 Extreme Duty Reinforced collar system in OD green
- Collar system easily removeable for aircraft or road transport

COATINGS, COVERINGS & LETTERING

- Non-skid decks and gunnels
- Black rubberized dash skid
- Black mesh snap covers on interior storage box openings
- Rubberized deck matting on interior walking surfaces

TOWING, LIFTING & ATTACHMENT POINTS

- Six (6), 10" cast aluminum weld-on cleats
- Custom fabricated weld-on pick eyes with stainless steel inserts
- Weld-on bow eye with triple stainless steel inserts
- Weld-on transom tie downs
- Aft tow post with single stainless steel cross pin

ELECTRICAL SYSTEM & POWER GENERATION

- House battery system 24VDC
- Switch panel with marine-grade switches

LIGHTING

- LED navigation lights (running and anchor)
- Independently controlled dimmable LED walkway lights
- Red/white dome lighting in helm area

ELECTRONICS, NAVIGATION & COMMUNICATION

- Navigation horn

SAFETY, RESCUE & DIVING EQUIPMENT

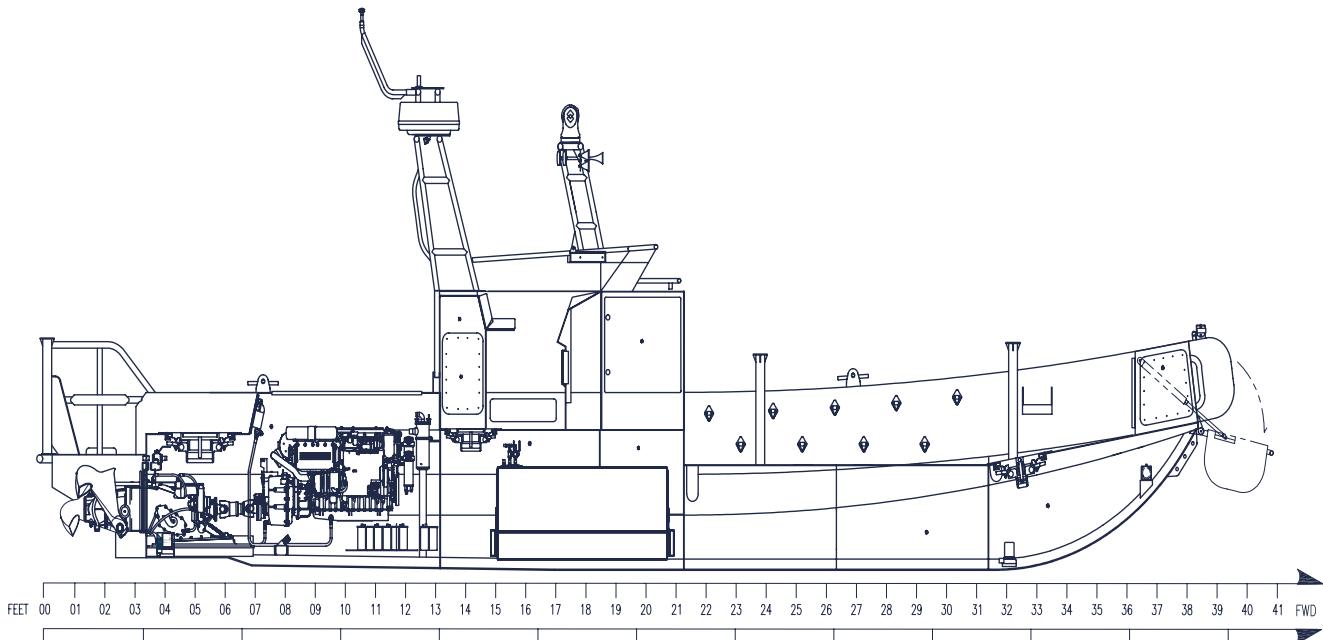
- Three (3) fire extinguishers
- Fabricated aluminium life ring mount
- Engine compartment fire suppression system
- Three (3) 2000 GPH bilge pumps - two (2) in engine space and one (1) in tank space

FUEL SYSTEM

- 300-gallon fuel tank with a formed bottom (1/4" - 5086)
- Independent fuel stripping port



SAFE RIVERINE PATROL BOAT
VISUAL REFERENCE + OPTIONAL EQUIPMENT



PROPULSION

- Engines (diesel)/Jets
- Engine(s) Rigging

CONFIGURATION OPTIONS

- Bow Cover
- Sheer Deck
- Personnel Recovery Cut-Outs (collar)
- Remotely Actuated Drop Bow
- Remotely Actuated Drop Transom
- Aft Bimini Top
- Reinforced Push Knees
- Locker System(s)
- SAFE XDR-2 Upgrade (lines & D-rings)
- Topside Paint
- Bottom Paint
- Tow Line Storage Spool/Cover/Line
- Davit/Electric Winch
- Self- Righting Upgrade

ELECTRONICS/LIGHTING

- Navigation Package(s)
- Side Scan Sonar
- Thermal/Low Light Camera Systems
- Loudhailer
- AIS
- Satellite Weather Receiver/Overlay
- VHF/UHF Radios
- Military Radio Systems
- Wired/Wireless Intercom System
- EPIRB
- Law Enforcement Lighting Strobes/Bars (blue/red/amber)
- Searchlights
- Upgraded Flood Lights
- Underwater Dive Lights
- Laptop Mounting/Docking station(s)
- Customer Furnished Equipment (CFE) Installation

OUTFIT

- Safety Kit
- Docking Kit
- Anchor Kit
- Personnel Flotation Device(s) (PFD)

TRAILERING

- Trailer with Bow Ladder

DOCUMENTATION

- Wire Label Package/Diagram(s)
- Drawing Package(s)
- Operator/Repair Manual(s)

MISCELLANEOUS

- Dive Ladder(s)
- Dive Tank Storage/holders
- Dive Light Mast
- Dive Staging Area
- Tow Light Mast
- Gun Locks/Locker(s)
- Fresh/Raw Water Washdown

**All specifications and standard features are subject to change. Not all options are available on all models. Please contact SAFE Sales Department for details.*