

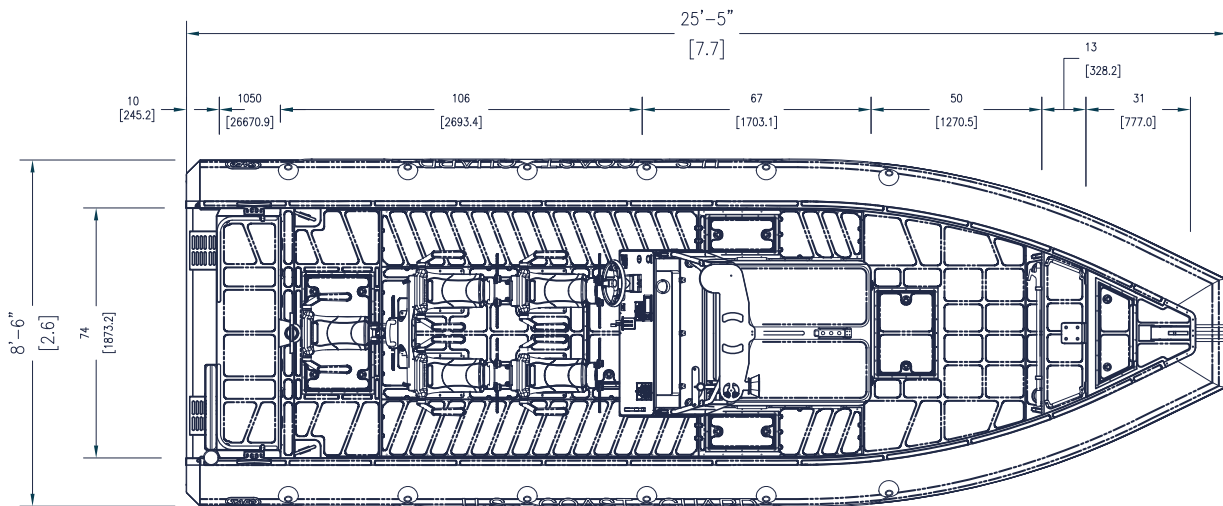
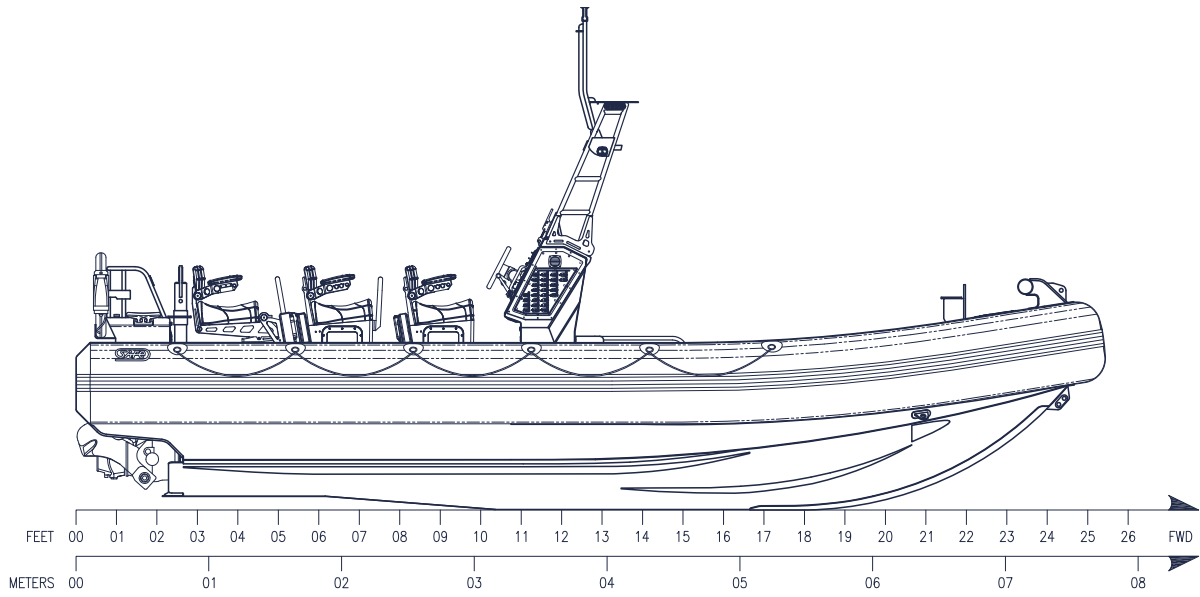
# SAFE 26

**CENTER CONSOLE INBOARD**



# SAFE 26 CENTER CONSOLE INBOARD

**VISUAL REFERENCE + SPECIFICATIONS**



Length Overall (LOA) (feet) .....**25'-5"**  
 Length Overall (meters)..... **7.8**  
 Beam Overall (BOA) (feet) .....**8'-6"**  
 Beam Overall (meters).....**2.6**  
 Deadrise at Transom (degrees) ..... **25**  
 Draft (engine trimmed up) (inches) ..... **25"**  
 Max HP ..... **480**  
 Top Speed (knots)..... **40**

Max Range (NM) ..... **200 @ 30 knots**  
 Fuel Cap (gal) ..... **.97**  
 Seated Positions.....**5**  
 Light Load: dry weight, weight of heaviest engines (lbs).....**6,600**  
 Operational Load (lbs).....**10,750**  
 Maximum Capacity (persons, fuel, gear) (lbs) ..... **4,200**

Height on trailer - Road Transport (feet) **9'-1"**  
 Length on trailer - Road Transport (feet) ..... **33'-3"**  
 Weight on Trailer (lbs) ..... **8,600**

*\*All specs, features and GAs shown are subject to change*



## **HULL & DECK**

- 3/16" - 5086 bottom plate
- Reinforced keel beaching plate
- Speed shoe in bottom plate
- Fully welded performance lifting strakes
- Self-bailing decks with high-volume scupper drains
- Bow storage/anchor locker
- Dual aft rigging locker system
- Sacrificial hull anode(s)
- Aft swim steps/platform

## **SUPER STRUCTURE**

- Aluminum center console with integrated, hinged engine box
- Acrylic windscreen
- Safety hand/grab rail system

## **CONSOLE & DASH**

- Port side helm

## **COLLAR SYSTEM**

- Patented 100% foam SAFE XDR-1 Extreme Duty Reinforced collar system with black rubstrake
- Available collar colors include: black, blue, gray, orange, green, red

## **COATINGS, COVERINGS & LETTERING**

- Non-skid on walking surfaces

## **TOWING, LIFTING & ATTACHMENT POINTS**

- Four (4), 10" cast aluminum weld-on cleats
- Bow and stern lifting eyes
- Weld-on bow eye with dual stainless steel inserts
- Weld-on transom tie downs
- Fore towing eye and aft tow post with single stainless steel cross pin

## **ELECTRICAL SYSTEM & POWER GENERATION**

- House battery system 12VDC - one (1) marine-grade battery with switch
- Backlit switch panel with marine-grade switches
- Three (3) 12VDC power receptacles on console

## **LIGHTING**

- LED navigation lights (running and anchor)
- Walkway lighting

## **ELECTRONICS, NAVIGATION & COMMUNICATION**

- Navigation horn

## **SAFETY, RESCUE & DIVING EQUIPMENT**

- Two (2) fire extinguishers
- Life ring mount

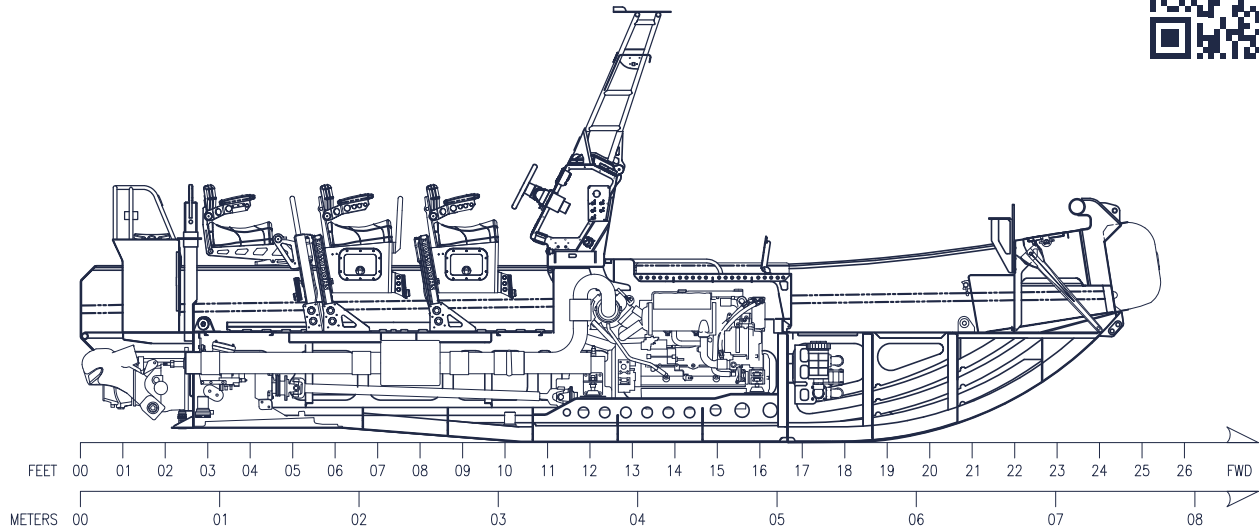
## **FUEL SYSTEM**

- Dual diesel fuel tanks with formed bottom (1/4" - 5086)
- Fuel fill and ventilation system



# SAFE 26 CENTER CONSOLE INBOARD

VISUAL REFERENCE + OPTIONAL EQUIPMENT



## PROPULSION

- Engines
- Engine(s) Rigging
- Waterjet/Waterjet Controls

## CONFIGURATION OPTIONS

- Bow Cover
- Bimini Top
- Radar/Equipment Arch Mounted on Console (may be required with some electronics options)
- Alternate Locker System(s)
- Alternate Jockey-Style Crew Seats
- Upgraded Premium Shock Mitigating Crew Seats
- SAFE XDR-2 Upgrade (lines & D-rings)
- Topside/Arch Paint
- Bottom Paint
- Tow Line Storage Spool/Cover/Line
- Davit/Electric Winch
- Tow Post(s) (standard on some models)

## ELECTRONICS/LIGHTING

- Additional House/Start Batteries (may be required with some electronics/engine options)
- Navigation Package(s)
- Side Scan Sonar
- Thermal/Low Light Camera Systems
- Loudhailer
- AIS
- Satellite Weather Receiver/Overlay
- VHF/UHF
- Wired/Wireless Intercom System
- EPIRB
- Chemical Biological Radiological Nuclear Detection Equipment (CBRNE)
- Law Enforcement Lighting Strobes/Bars (blue/red/amber)
- Searchlights
- Flood Lights
- Underwater Dive Lights
- Laptop Mounting/Docking Station(s)
- Shore Power
- Customer Furnished Equipment (CFE) Installation

## OUTFIT

- Safety Kit
- Docking Kit
- Anchor Kit
- Personnel Flotation Device(s) (PFD)

## TRAILERING

- Trailer with Bow Ladder
- Rolling Ship Yard Cradle

## DOCUMENTATION

- Wire Label Package/Diagram(s)
- Drawing Package(s)
- Operator/Repair Manual(s)

## MISCELLANEOUS

- Fresh/Raw Water Washdown
- Dive Ladder(s)
- Dive Tank Storage/holders
- Dive Light Mast
- Tow Light Mast
- Gun Locks/Locker(s)
- Fire Fighting Pump/Engine Systems
- Engine Compartment Fire Suppression Systems
- Engine Block Heater

*\*All specifications and standard features are subject to change. Not all options are available on all models. Please contact SAFE Sales Department for details.*