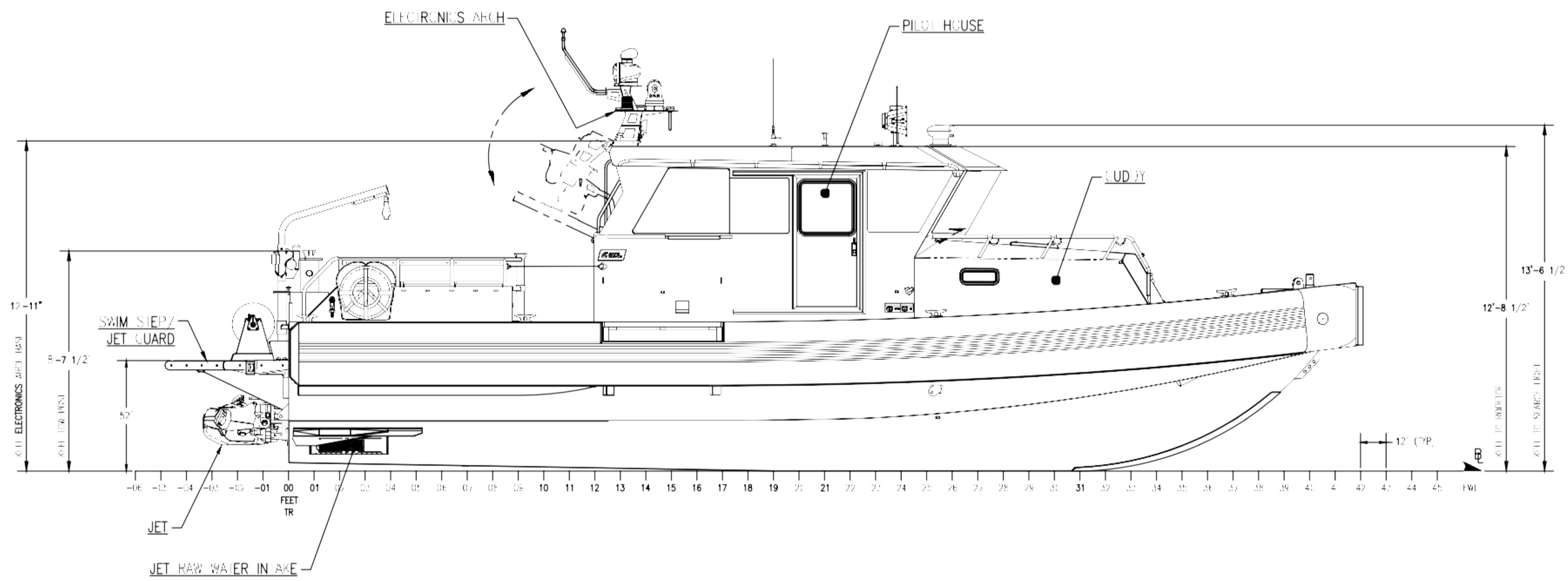


24 23 22 21 20 19 18 17



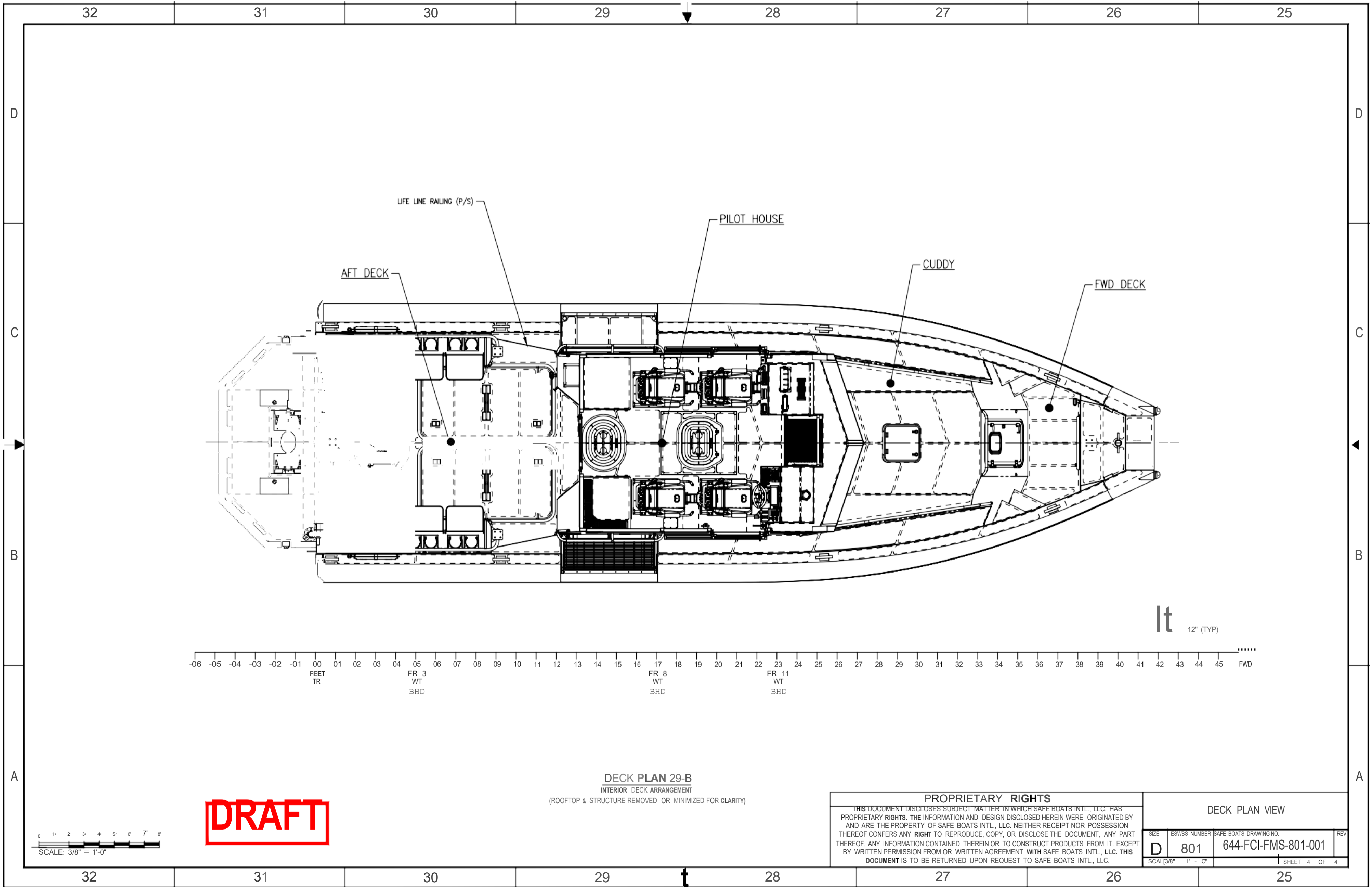
DIM STARBOARD PROFILE 21-B

SCALE: 3/8" = 1'-0"

**DRAFT**

<p>PROPRIETARY RIGHTS</p> <p>THIS DOCUMENT DISCLOSES SUBJECT MATTER IN WHICH SAFE BOATS INTL, LLC HAS PROPRIETARY RIGHTS. THE INFORMATION AND DESIGN DISCLOSED HEREIN WERE ORIGINATED BY AND ARE THE PROPERTY OF SAFE BOATS INTL, LLC. NEITHER RECEIPT NOR POSSESSION OF THIS DOCUMENT CONFERES ANY RIGHT TO REPRODUCE, COPY, OR DISCLOSE THE DOCUMENT, ANY PART THEREOF, ANY INFORMATION CONTAINED THEREIN OR TO CONSTRUCT PRODUCTS FROM IT, EXCEPT BY WRITTEN PERMISSION FROM OR WRITTEN AGREEMENT WITH SAFE BOATS INTL, LLC. THIS DOCUMENT IS TO BE RETURNED UPON REQUEST TO SAFE BOATS INTL, LLC.</p>				<p>DIM STARBOARD PROFILE</p>	
SIZE	ESWS NUMBER	SAFE BOATS DRAWING NO.	REV		
D	801	644-FCI-FWS-801-001	-		
SCALE: 3/8" = 1'-0"			SHEET 3 OF 4		

24 23 22 21 20 19 18 17



-06 -05 -04 -03 -02 -01 00 01 02 03 04 05 06 07 08 09 10 11 12 13 14 15 16 17 18 19 20 21 22 23 24 25 26 27 28 29 30 31 32 33 34 35 36 37 38 39 40 41 42 43 44 45 FWD

FEET TR      FR 3 WT BHD      FR 8 WT BHD      FR 11 WT BHD

**It** 12" (TYP)

**DECK PLAN 29-B**  
 INTERIOR DECK ARRANGEMENT  
 (ROOFTOP & STRUCTURE REMOVED OR MINIMIZED FOR CLARITY)

DRAFT

0 1 2 3 4 5 6 7 8  
 SCALE: 3/8" = 1'-0"

PROPRIETARY RIGHTS		DECK PLAN VIEW	
THIS DOCUMENT DISCLOSES SUBJECT MATTER IN WHICH SAFE BOATS INTL., LLC. HAS PROPRIETARY RIGHTS. THE INFORMATION AND DESIGN DISCLOSED HEREIN WERE ORIGINATED BY AND ARE THE PROPERTY OF SAFE BOATS INTL., LLC. NEITHER RECEIPT NOR POSSESSION THEREOF CONFERS ANY RIGHT TO REPRODUCE, COPY, OR DISCLOSE THE DOCUMENT, ANY PART THEREOF, ANY INFORMATION CONTAINED THEREIN OR TO CONSTRUCT PRODUCTS FROM IT, EXCEPT BY WRITTEN PERMISSION FROM OR WRITTEN AGREEMENT WITH SAFE BOATS INTL., LLC. THIS DOCUMENT IS TO BE RETURNED UPON REQUEST TO SAFE BOATS INTL., LLC.			
SIZE	ESWBS NUMBER	SAFE BOATS DRAWING NO.	REV
D	801	644-FCI-FMS-801-001	
SCALE: 3/8" = 1'-0"		SHEET 4 OF 4	