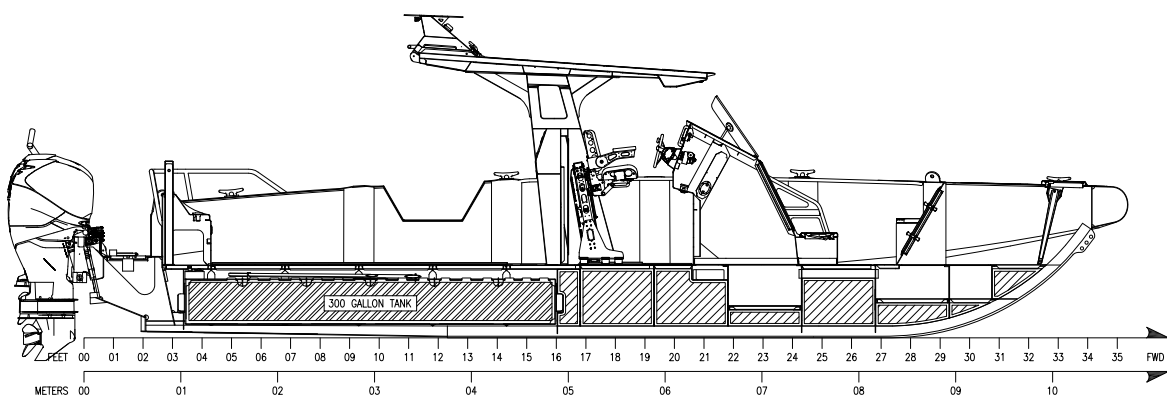
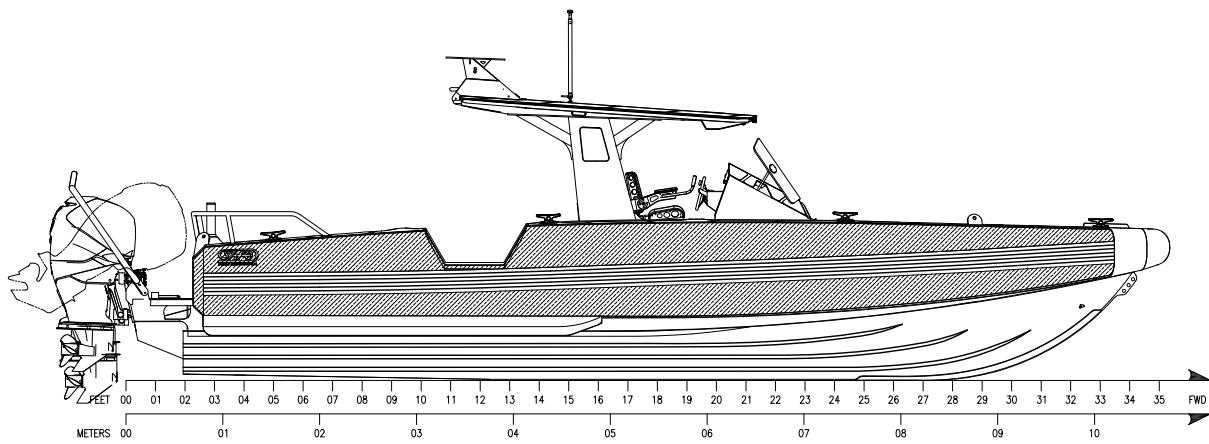


MULTI-MISSION INTERCEPTOR
RECONFIGURABLE DECK TRACK
SYSTEM SHOWN

INBOARD PLAN VIEW



INBOARD PROFILE



OUTBOARD PROFILE

SPECIFICATIONS

LOA	35'-3" [10.7]
BEAM	10' [3.0]
HEIGHT ON TRAILER	12' [3.6]
DEADRISE	25"
FUEL	300 GALLONS [1135 LITERS]
MAX HP	1050 [783]

SHOWN WITH SOME OPTIONAL EQUIPMENT. SPECIFICATIONS ARE APPROXIMATES ONLY AND SUBJECT TO CHANGE.

THIS DOCUMENT DISCLOSES SUBJECT MATTER IN WHICH SAFE BOATS INTL., LLC. HAS PROPRIETARY RIGHTS. THE INFORMATION AND DESIGN DISCLOSED HEREIN WERE ORIGINATED BY AND ARE THE PROPERTY OF SAFE BOATS INTL., LLC. NEITHER RECEIPT NOR POSSESSION THEREOF CONFERS ANY RIGHT TO REPRODUCE, COPY, OR DISCLOSE THE DOCUMENT, ANY PART THEREOF, ANY INFORMATION CONTAINED THEREIN OR TO CONSTRUCT PRODUCTS FROM IT.



GENERAL ARRANGEMENTS

SAFE BOATS DRAWING NO.	REV
935-SAFE 35 INTERCEPTOR	-
SCALE: NONE	SHEET 1 OF 1